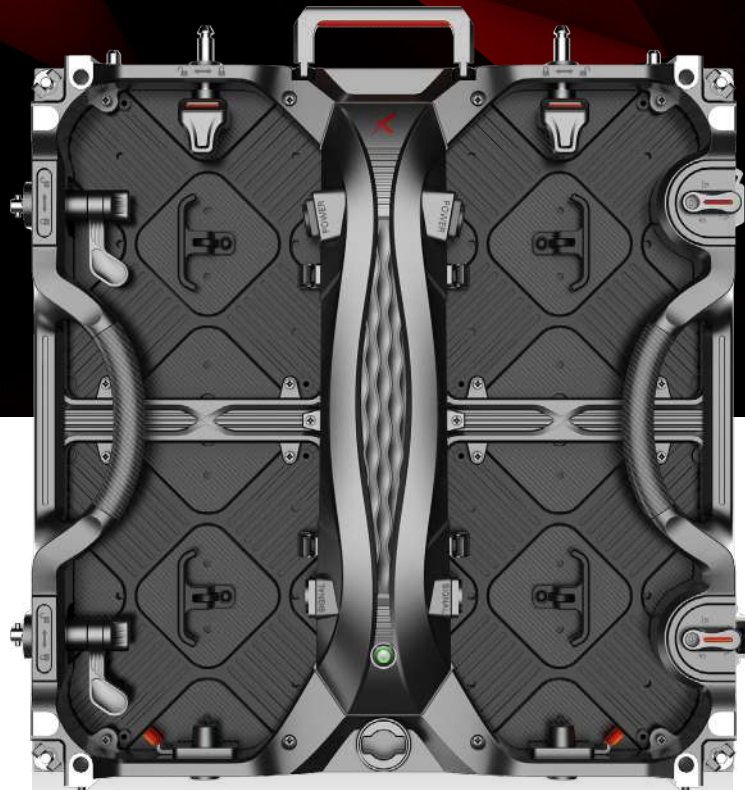




AYRGON 3.0

PRO TOURING LED CABINET





OVERVIEW

The AYRGON 3.0 is the newest version of our AYRGON Pro Touring series. It is both lighter and more cost-effective energy-wise than its predecessor while retaining all the features that make it an ideal touring LED solution.



APPLICATION
Indoor / Outdoor



BRIGHTNESS
≤ 800 NITS (indoor)
≤ 4500 NITS (outdoor)



INGRESS PROTECTION
IP30 (indoor)
IP65 (outdoor)



WEIGHT
8 - 14 kg/cabinet



PIXEL PITCH
P2.6 P3.9 (indoor)
P3.9 P4.8 (outdoor)



MATERIAL
Die-casting aluminum



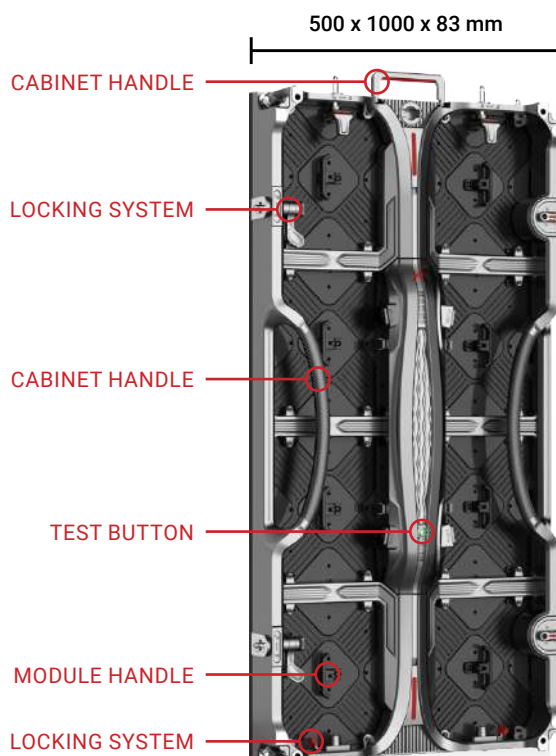
DISPLAY AREA (W x H)
500 x 500 mm
500 x 1000 mm



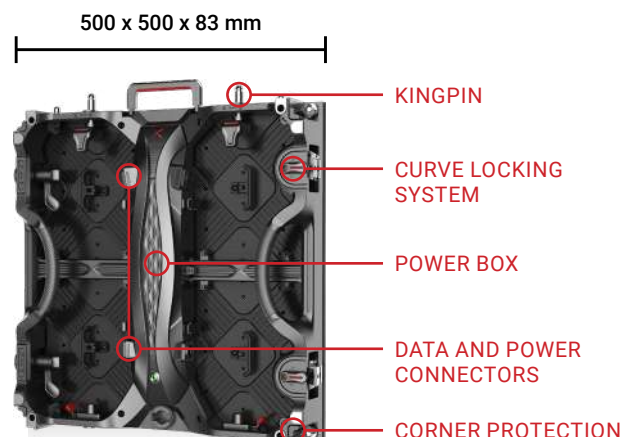
MAINTENANCE
Front & back maintenance



FEATURES



The AYRGON 3.0 is available in two sizes compatible with one another. Its features were designed to ease its installation and removal without damaging the cabinets, making it a perfect touring LED cabinet.



BACK & FRONT ACCESS

In order to ease the installation and maintenance process, we designed the Ayrgon 3.0 to be fully accessible both from the front and from the back. This feature allows you to integrate your rental LED screen in any location you want and still be sure of its quick and easy maintenance.



**CURVING SYSTEM
INTEGRATED**



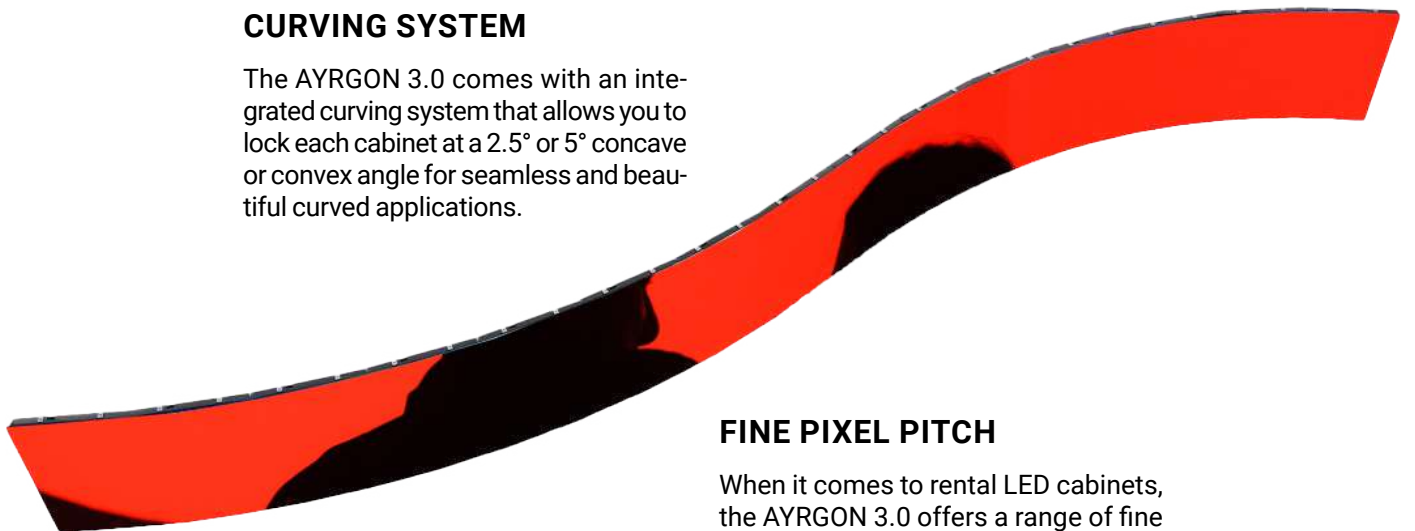
**MULTIPLE INTEGRATION
METHODS POSSIBLE**



BACK & FRONT ACCESS

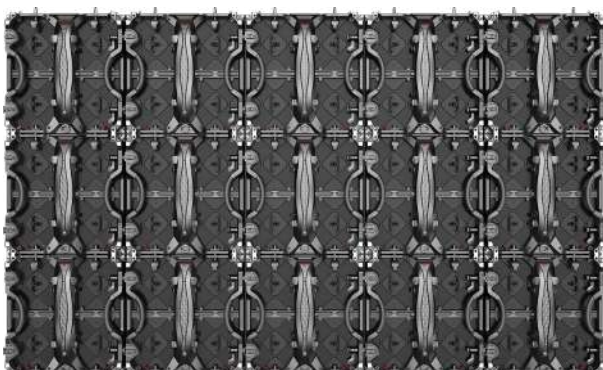
CURVING SYSTEM

The AYRGON 3.0 comes with an integrated curving system that allows you to lock each cabinet at a 2.5° or 5° concave or convex angle for seamless and beautiful curved applications.



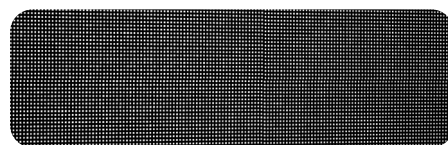
ADAPTABLE ACCESSORIES

We can provide multi-function hanging bars that can also be used as ground beams, making your rental fleet even more adaptable.



FINE PIXEL PITCH

When it comes to rental LED cabinets, the AYRGON 3.0 offers a range of fine indoor and outdoor pixel pitches, ranging from P2.6 to P4.8. Coupled with a high contrast ratio, guaranteed by our ultra-black module design, these fine pitches will allow you to display astonishing and vivid visual content for your customer's audiences at every use of your rental LED screen.



IP65

The outdoor version of the AYRGON 3.0 is fully resistant to dust ingress and even high-pressure water projections. This product will stay true to its original condition no matter what.



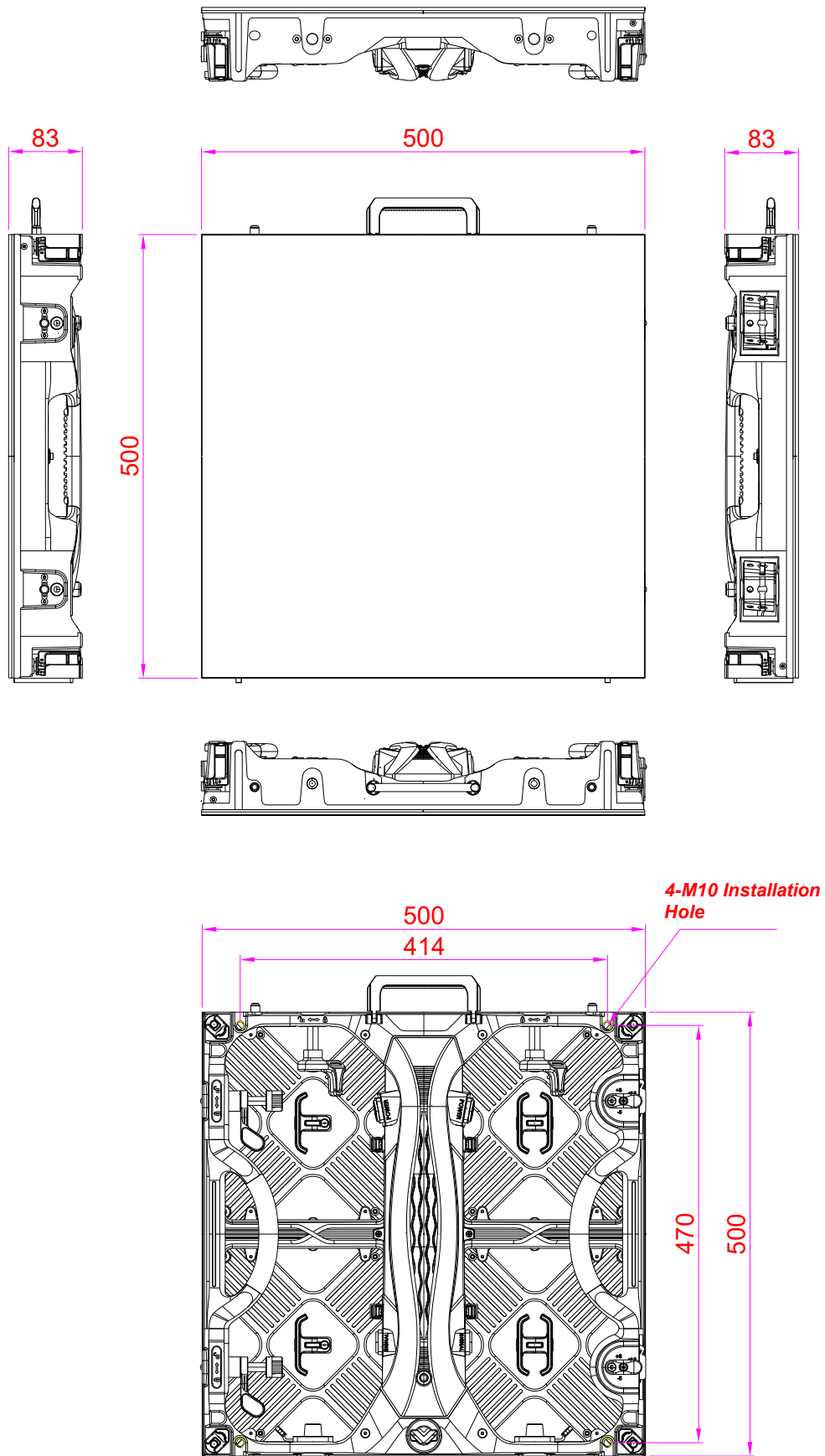
TECHNICAL SPECIFICATIONS

| Product Parameters | Unit | INDOOR | | OUTDOOR | |
|--|--------|--|----------------------------------|-----------------------|-----------------------|
| | | 2.6 | 3.9 | 3.9 | 4.8 |
| Pixel Pitch | mm | 2,60 | 3,91 | 3,91 | 4,81 |
| LED | | SMD1515 | SMD2020 | SMD1515 | SMD1921 |
| Application | | Evolution of Ayrگون 2.0 (touring system) | | | |
| Ingress Protection | IP | IP30 | | IP65 | |
| Brightness | cd/sqm | ≤ 800 Nits @5volts | | ≤ 4500 Nits @5volts | |
| Color Temperature after calib (adjustable) | deg. K | 6500 | | | |
| Viewing Angle (50% brightness) | deg. | 140(+/-70) H / 140 V | | | |
| Cabinet Size (WxHxD) | mm | 500 x 500 x 83 | 500 x 500 x 83 / 500 x 1000 x 83 | | |
| Display area (WxH) | mm | 500 x 500 | 500 x 500 / 500 x 1000 | | |
| Module Size (WxHxD) | mm | 250 x 250 x 15 | | 500 x 250 x 15 | 250 x 250 x 15 |
| Pixel Matrix Per Cabinet (WxH) | px | 192 x 192 | 128 x 128 / 128 x 256 | 128 x 128 / 128 x 256 | 104 x 104 / 104 x 208 |
| Pixel Matrix Per Module (WxH) | px | 96 x 96 | 64 x 64 | 128 x 64 | 52 x 52 |
| Pixel Density | px/sqm | 147456 | 65536 | 65536 | 43264 |
| Weight of cabinet and modules | kg | 8 - 14 | | | |
| Cabinet Material | | Die-casting aluminum | | | |
| Maintenance Mode | | Back & front | | | |
| Mask specification | | 95% Plastic + 5% Fiber / SS Screws / Shaders | | | |
| Contrast Ratio | | High | | | |
| Grey scale (linear) | bit | 16 | | | |
| Brightness control | bit | 16 | | | |
| Processing depth | bit | 16 | | | |
| Color | | 281 Trillions | | | |
| Display Refresh Rate | Hz | 3840 | | | |
| Operation Power | V | AC85-230V | | | |
| Max. Power Consumption | W/sqm | 450 | | 600 | |
| Average Power Consumption | W/sqm | 150 | | 200 | |
| Control Mode | | Synchronization | | | |
| Video Frame Rate | Hz | 50/60Hz | | | |
| Input Types Supported | | DVI / SDI / HDMI | | | |
| 3D ready (optional) | | Yes | | | |
| Calibration | | Yes | | | |
| Lifetime (50% brightness) | h | 50000 | | | |
| Operating Humidity Range | | 10-95% | | | |
| Operating Temperature Range | | -10°C / +50°C | | -20°C / +60°C | |
| Screen Uniformity Correction | | Below 0.0001 (Out of Control point) | | | |
| Certification | | CE / ETL / CCC | | | |
| Features | | - | | | |
| Compatibility | | Different sizes compatible with each other | | | |



TECHNICAL DRAWINGS

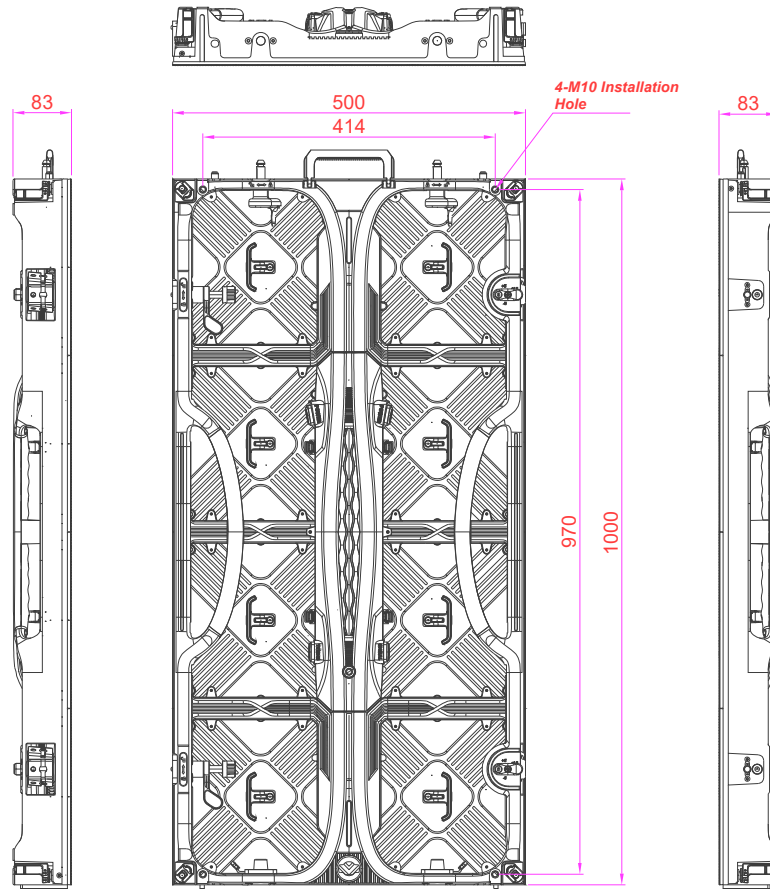
500 X 500 X 83 MM





TECHNICAL DRAWINGS

500 X 1000 X 83 MM





CONTACT

The Artixium regional branches are the key for the growth and development of our global network all over the world. Artixium's team is a spectrum of different nationalities and cultures, reflecting their global presence and mindset, mak-

ing their communication smooth and hassle-free with clients from all around the world. Customer care, Innovation and flexibility has always been our values and we intend to keep this reputation for many years to come.

ARTIXIUM FRANCHISES

"From your project's conception to its completion."



112 Avenue Franklin Roosevelt
69120 Vaulx-en-Velin
France



Artixium Operational Center
518000 Shenzhen
China




Weissensteinstrasse 90b,
46149 Oberhausen
Germany




Merkez Mah. Baglar Cad. A
Blok Apt. No: 14D/13 Kagithane, Istanbul
Turkey



 www.artixium.com

 0 428 001 801

 [linkedin.com/company/artixium](https://www.linkedin.com/company/artixium)

 twitter.com/artixium

 contact@artixium.com

 [youtube.com/@artixium](https://www.youtube.com/@artixium)

 [facebook.com/artixium](https://www.facebook.com/artixium)

 [instagram.com/artixium](https://www.instagram.com/artixium)



Since its creation in 2012 by two european entrepreneurs, Artixium has been evolving and always looking for innovative ways to contribute to the digital transition of our world. It only took a few years for Artixium to become a key player in the LED display industry.

www.artixium.com